

To our Representatives

Spare parts for OE Rotor Spinning Machines from Messrs. SCHLAFHORST

TEXParts manufactures the following components for the OE rotor boxes SE 7-SE 11 of the Schalfhorst rotor spinning frames.

Beater spindles LE 222, bearing units CK 13 / CK 14 / IL 13 for support rolls, contact rolls SR 28 and draw-off rollers with cots CK 12. Further, we offer bearing units ZL 17 and counter bearings CR 2 for winding machines.

<u>type</u>	<u>machines with box</u>	<u>short technical description</u>	<u>CD-ROM (Chapter)</u>
1 - LE 222-0035965	SE 8	beater spindle with wharve	6-8 / 6-9
2 - LE 222-0027128	SE 8	beater spindle with wharve	6-8 / 6-9
3 - LE 222-1252507	SE 9	beater spindle with wharve	
4 - LE 222-1257825	SE 10-11	beater spindle with wharve and center ring	
5 - CK 12-1250611	SE 8-11	basic bearing unit for CK 12 with cot	2-22 / 2-23
6 - CK 12-0030848	SE 8-11	draw-off roller with cot J-490-A	
7 - CK 12-1248719	SE 8-11	draw-off roller with cot HA-80-OE	2-22 / 2-23
8 - SR 28-1258070	SE 10-11	contact roll	2-22 / 2-23
9 - CK 13-1249087	SE 9	bearing unit for support rolls	
10 - CK 14-0028695	SE 7-8	bearing unit for support rolls	6-10 / 6-11
11 - CK 13-0029170	SE 8	bearing unit for support rolls	6-10 / 6-11
12 - IL 13-1257771	SE 10-11	bearing unit for support rolls	6-10 / 6-11

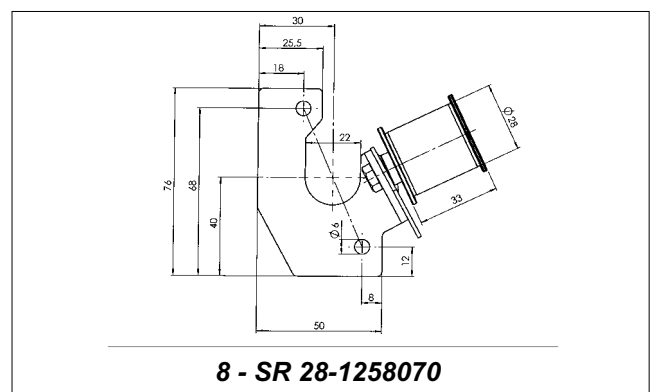
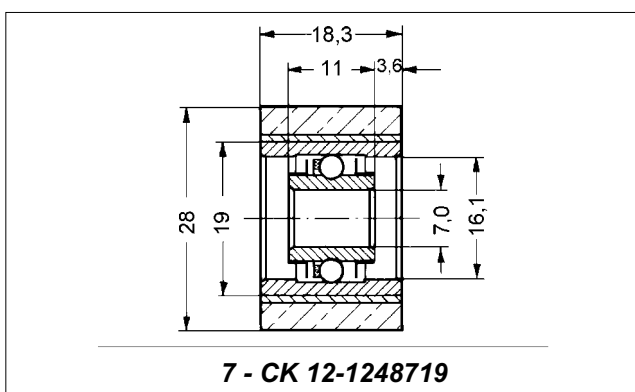
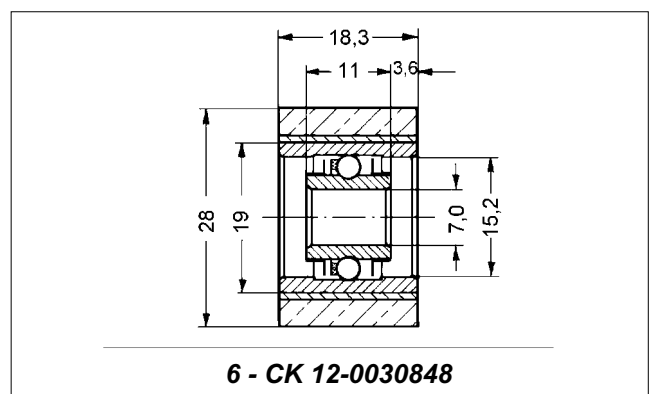
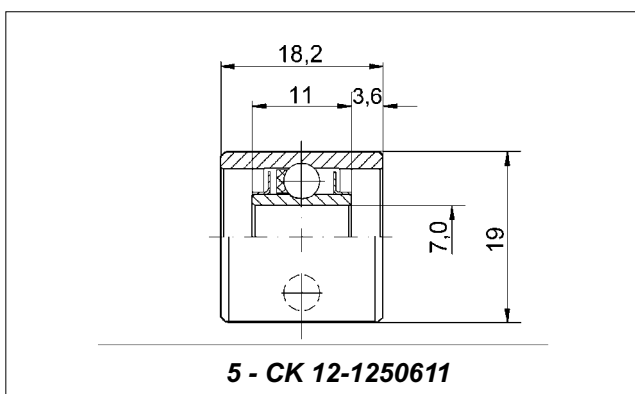
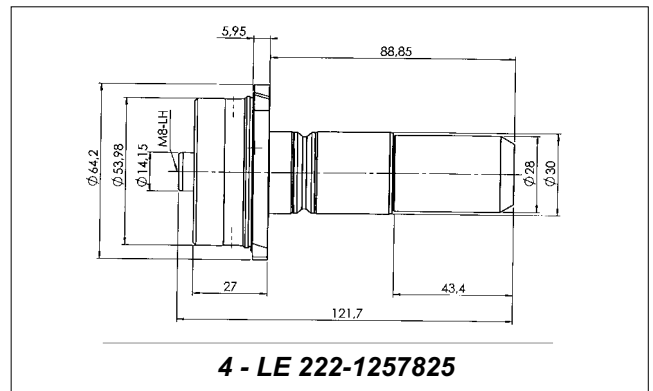
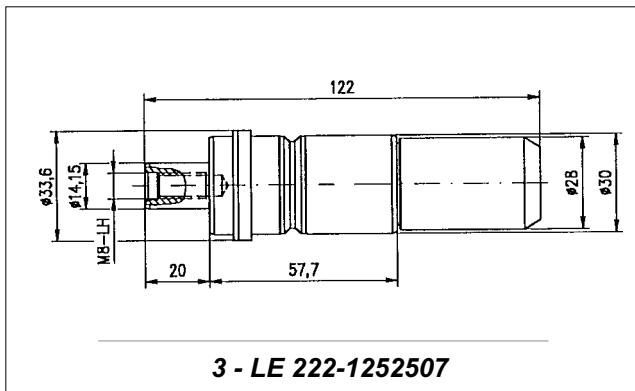
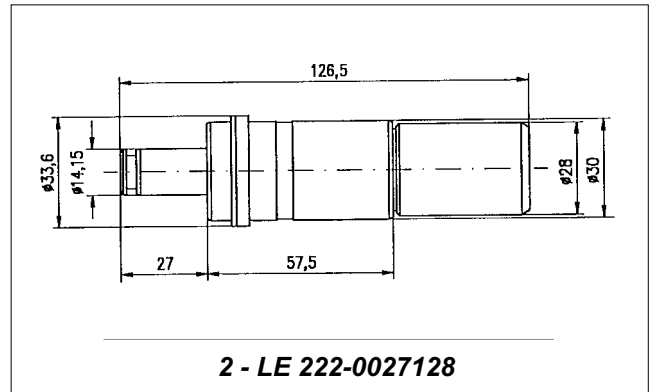
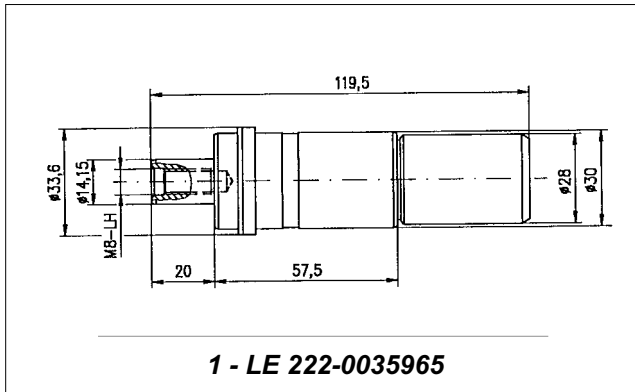
Parts for winding machines

13 - ZL 17-0016949	Coner bearing unit for winding machines Schlafhorst and Murata counter bearing for CR 2	2-18 / 2-19
14 - CR 2-0035905	Coner bearing unit for winding machines Schlafhorst and Murata	2-18 / 2-19

Newsletter No. 24

page 2 / 3

To our Representatives



Newsletter No. 24

To our Representatives

