

Drafting Systems

Texparts® PK SE Series

The most sophisticated and flexible pendulum arm

Oerlikon Textile Components with the product line Texparts® has again set the pace with the most sophisticated and flexible pendulum arm available on the market. The concept for the new series was easy. From all only the best combined with technology competence, innovative assembly methods and absolute perfection.

This, among others, ensures the premium quality of Texparts® Drafting Systems.

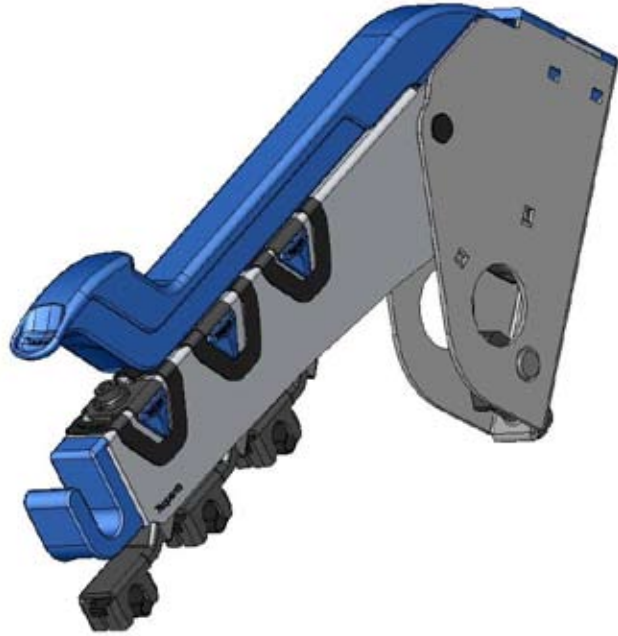
Following quality improvements can be influenced by drafting systems:

- No of ends down/ 1,000 Sph
- Yarn characteristics like:
 - Mass variation (CVm % and CVb %)
 - Thin / Thick places
 - Neps
 - Hairiness

The direct results are a reduction of labor and production costs, as well as better running properties in subsequent processes and enhanced fabric characteristics.

Product Description

The Texparts® PK SE Series are mechanical pendulum arms for materials like cotton, manmade fibers and blends with staple lengths up to 60 mm.



PK SE Series Benefits

SE stands for single element and means absolute independent working loading elements.

The outstanding features of the new Texparts® PK SE Series are:

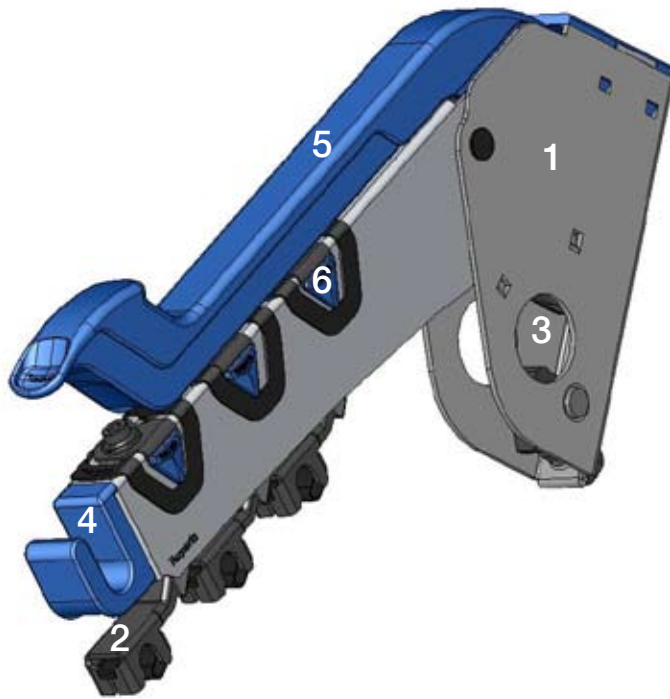
- Texparts® EasySet
- Texparts® EasyDraft
- Texparts® EasyFit
- Texparts® EasyAdapt
- Texparts® EasyHandle
- Texparts® EasyIndicate

Impacts On Your Spinning Mill

- The flexibility to react on the changing market requirements
- Reliable spinning of roving with high twist
- Easy exchange of single elements in case of lapping
- Easy and fast conversion from 3 roller to 4 roller drafting systems
- Exact and user-friendly height setting
- Load visualization for each element
- Maintenance free – fit and forget

65 % of all pendulum arms in spinning mills are from the well proven PK Series.

Outstanding Patented Features



- 1 Texparts® EasySet
- 2 Texparts® EasyDraft
- 3 Texparts® EasyFit
- 4 Texparts® EasyAdapt
- 5 Texparts® EasyHandle
- 6 Texparts® EasyIndicate

Texparts® EasySet

This feature stands for a maintenance free, quick and very accurate height setting function of each pendulum arm. Due to the exact and user-friendly setting the time consuming height adjustment now is a thing of the past.

Texparts® EasySet enables less variation of yarn quality from spinning position to spinning position.

Texparts® EasyDraft

EasyDraft is the smart system with the following five useful features:

Absolute independent working single elements

This feature gives you the advantage of very flexible settings of draft field distances. It enables an easy and flexible adaptation to fiber properties and spinning requirements.

The low load variation from pendulum arm to pendulum arm enables improved process reliability for yarn production and less variation of yarn quality.

In case of damage of a single element, e.g. because of fiber lapping, only the single element has to be exchanged.

The offset of the front top roller can be set independently up to 6 mm. Only one type of single element used reduces stock and prevents mix-up.

Easy and fast conversion from 3 rollers to 4 rollers drafting system possible

Easy and secure adjustment of single elements

A low load variation from pendulum arm to pendulum arm is ensured. Top and bottom rollers are absolutely parallel positioned for very close nip points. This includes:

- Save guidance function
- Anti-twist function
- Load indicator

More flexibility

Is given due to 5 possible load steps with maximum load of 20 daN per element. With the possibility of higher load settings you are already prepared for future technological demands.

A variable load adaptation for the different requirements of the fiber materials to be processed allows high technological flexibility, gentle treatment of cots and aprons, reduced wear of bottom roller bearings and reduced gear load.

The possibility of using higher loads includes a reserve for difficult to be drafted fiber material. The drafting of highly twisted rovings and better control of draft problems are manageable from now on.

New top apron cradle concept

The new concept with individual apron tensioning system stands for low-friction and gentle apron running. This will be achieved by a special surface structure and ideal combination of materials. A low drive torque ensures a long working life for aprons.

The ideal parallel positioning of top apron cradle and top roller is warrant.

By using the standard series of clips optimal fiber guidance is already ensured. The individual tensioning of aprons per spinning point results in a high reproducibility of yarn values from spindle to spindle.

Savings of time of up to 40% due to simple apron exchange without the need to remove the entire apron unit. Supplementary the concept ensures lowest possible stress on fibers during drafting plus gentle fiber guidance by very close apron nip points possible.

Texparts® EasyFit

This feature stands for a secure fixing of the pendulum arm on the support rod. It ensures a simple mounting on the support rod without any damages.

Texparts® EasyAdapt

The EasyAdapt function enables an easy and flexible adaptation of additional components. Due to this flexible system you are already prepared for future requirements. There are two types on offer. The different attributes are a basic version with a holder for standard clearer rollers or optionally with an adapter cap for the fastening of other components as for e.g. core yarn adaptation.

Texparts® EasyHandle

The eased handling is guaranteed by a new lever construction with antirust function. Very little force is needed to open and close the pendulum arm. Less strain while handling causes less stress on functional elements and

ensures a longer service life. Due to the covered design a non-rusting lever is ensured.

Texparts® EasyIndicate

The visual load indication is more than just a visual support for checking the alignments. It ensures a tactile setting of the load as well as the save latching into the required position.

Product Portfolio

PK 26 Series - with EasyIndicate		
Type	No. of weighting elements	Top roller cot dia
PK 2630 SE	3 roller standard	30 mm
PK 2630 SEC	4 roller compact	30 mm
PK 2635 SE	3 roller standard	35 mm
PK 2655 SE	3 roller V-draft	30 mm
PK 2665 SE	3 roller V-draft	35 mm